

# High Current Fuses



UL Recognized MEGA® Fuses

## UL Recognized MEGA® Fuses Rated 32V

The MEGA® Fuse is designed for high current circuit protection with "Diffusion Pill Technology." The MEGA® Fuse also provides time delay characteristics. Designed and patented by Littelfuse, the MEGA® Fuse is ideal for battery and alternator protection application and other heavy gauge cables requiring ultra-high current protection.

### Specifications

Interrupting Rating:	2000A @ 32 VDC
Voltage Rating:	32 VDC
Operating Temperature Range:	-40°C to + 125°C
Housing Material:	PPA-GF30FR
Terminals:	Copper
	M8 bolts holes
Mounting Torque:	12-18 Nm M8
Complies with:	ISO 8820-5 ,UL 248 Special Purpose Fuses



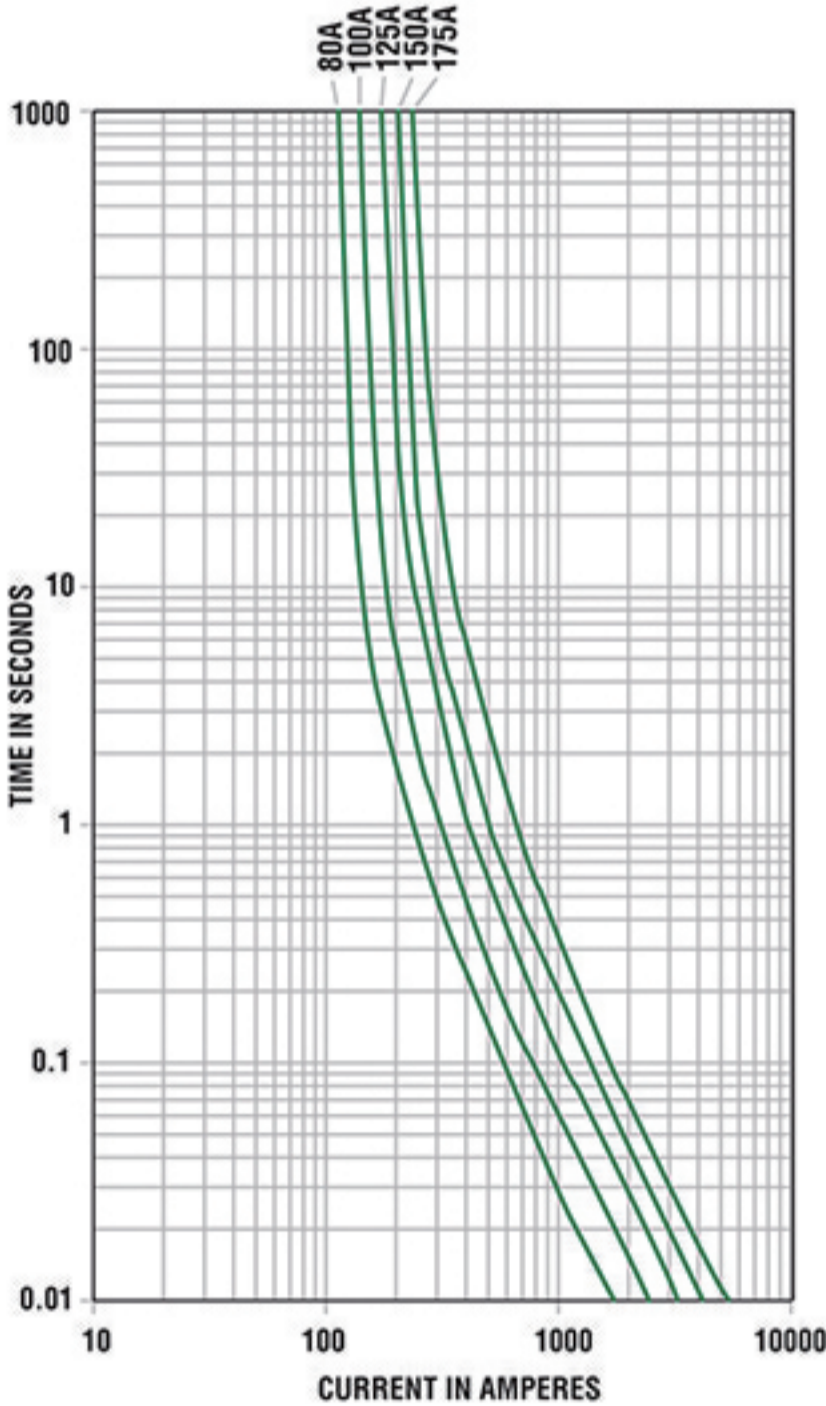
### Ordering Information

Part Number	Package Size
0298xxx.ZXEH-UL	500

### Time-Current Characteristics

% of Rating	Opening Time Min / Max (s)
	80A-175A
75	- / -
100	14,400 s / -
135	120 s / 1800 s
200	1 s / 15 s
350	0.300 s / 5 s
500	- / -
600	0.100 s / 1 s

### Time-Current Characteristic Curves

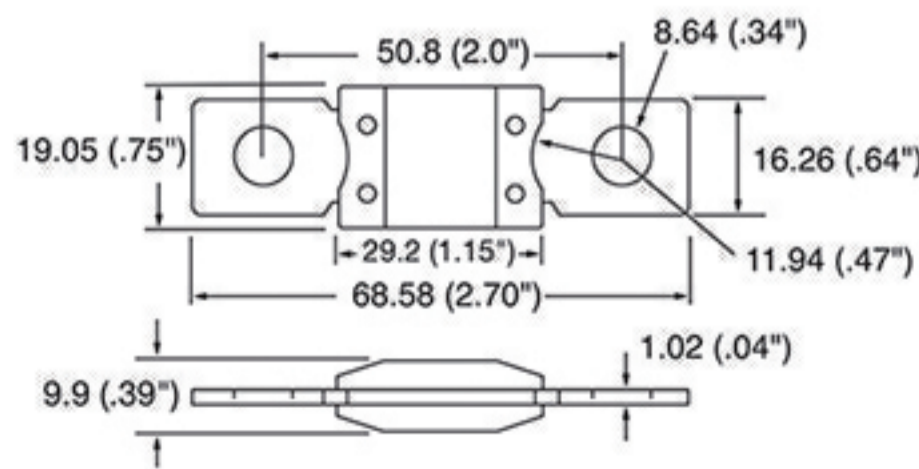


### Ratings

Part Number	Current Rating (A)	Font Color	Typ. Voltage Drop (mV)	I <sup>2</sup> t (A <sup>2</sup> s)
0298080.ZXEH-UL	80	Red	87	21500
0298100.ZXEH-UL	100	Yellow	87	31100
0298125.ZXEH-UL	125	Green	80	57800
0298150.ZXEH-UL	150	Orange	92	100000
0298175.ZXEH-UL	175	White	62	168000

### Dimensions

Dimensions in mm



### Temperature Derating Curve

