

# 500VDC, General Purpose Fuse for EV/HEV

## HV150-XXYY Series

### Description 描述

General purpose fuse for EV/HEV 用于纯电动汽车和混合动力汽车的全范围分断熔断器

Stud-mount, optional for other installation 螺栓安装,提供其他安装方式选择

500Vdc ideal for EV or HEV application 专为纯电动汽车和混合动力汽车设计的 500V 直流熔断器

Excellent DC performance 卓越的直流分断能力

Special designed fuse base for vehicle situation 提供专为汽车恶劣环境特殊定制的熔断器底座

Electrical Characteristics		
% of Ampere Rating (A)	Operating Time (Unit: s)	
	Min	Max
200%	1	300
300%	0.2	30
500%	0.1	10

### Ordering PN Description/订购料号说明

## HV150-15 AP

Series No.    AMP.    Assembly Code  
系列号      电流数    安装方式

### Assembly code /安装方式代码:

'AP' means center terminal bolt installation

'AP'代表中间端子螺栓安装

'BP' means bottom terminal bolt installation

'BP'代表底部端子螺栓安装

'CP' means PCB through hole installation

'CP'代表 PCB 引脚通孔安装

No suffix mean cylindrical without terminals

不带后缀代表圆管无引脚/端子

### Specifications 电气特性 ('YY' means Assembly code /'YY'代表安装方式代码)

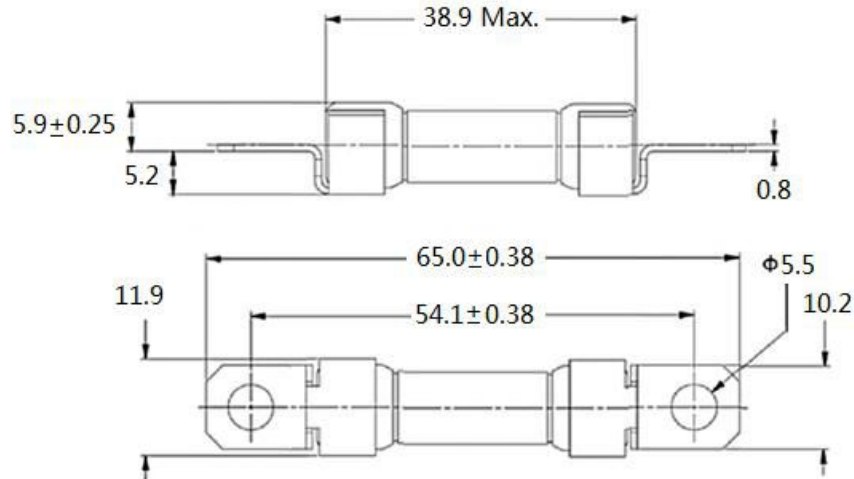
Ordering P/N 订购料号	Rated Current (A)额定电流	rated Voltage/ Interrupting rating 额定电压下分断
HV150-5YY	5	500Vdc/10000A
HV150-6YY	6	
HV150-8YY	8	
HV150-10YY	10	
HV150-15YY	15	
HV150-16YY	16	
HV150-20YY	20	
HV150-25YY	25	
HV150-30YY	30	
HV150-32YY	32	
HV150-35YY	35	500Vdc/6000A
HV150-40YY	40	
HV150-50YY	50	500Vdc/10000A

\*Temperature Rise 温升: <=50K with 70% of rated current 70%额定电流小于等于 50K

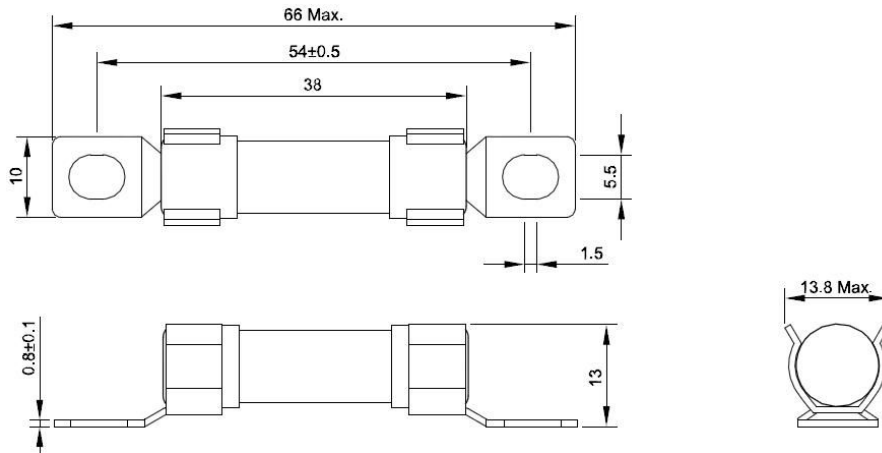
500VDC, General Purpose Fuse for EV/HEV  
HV150-XXYY Series

**Dimension (mm)尺寸**

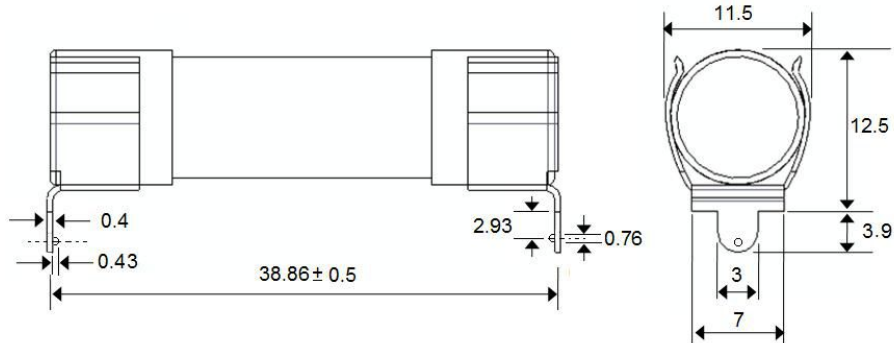
Assembly Code 'AP' 中间端子螺栓安装方式 'AP'



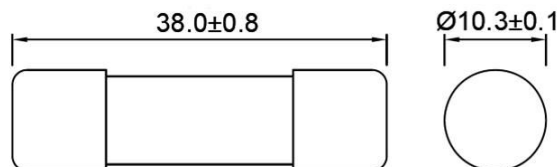
Assembly Code 'BP' 底部端子螺栓安装方式 'BP'



Assembly Code 'CP' PCB 引脚通孔焊接方式 'CP'



Cylindrical



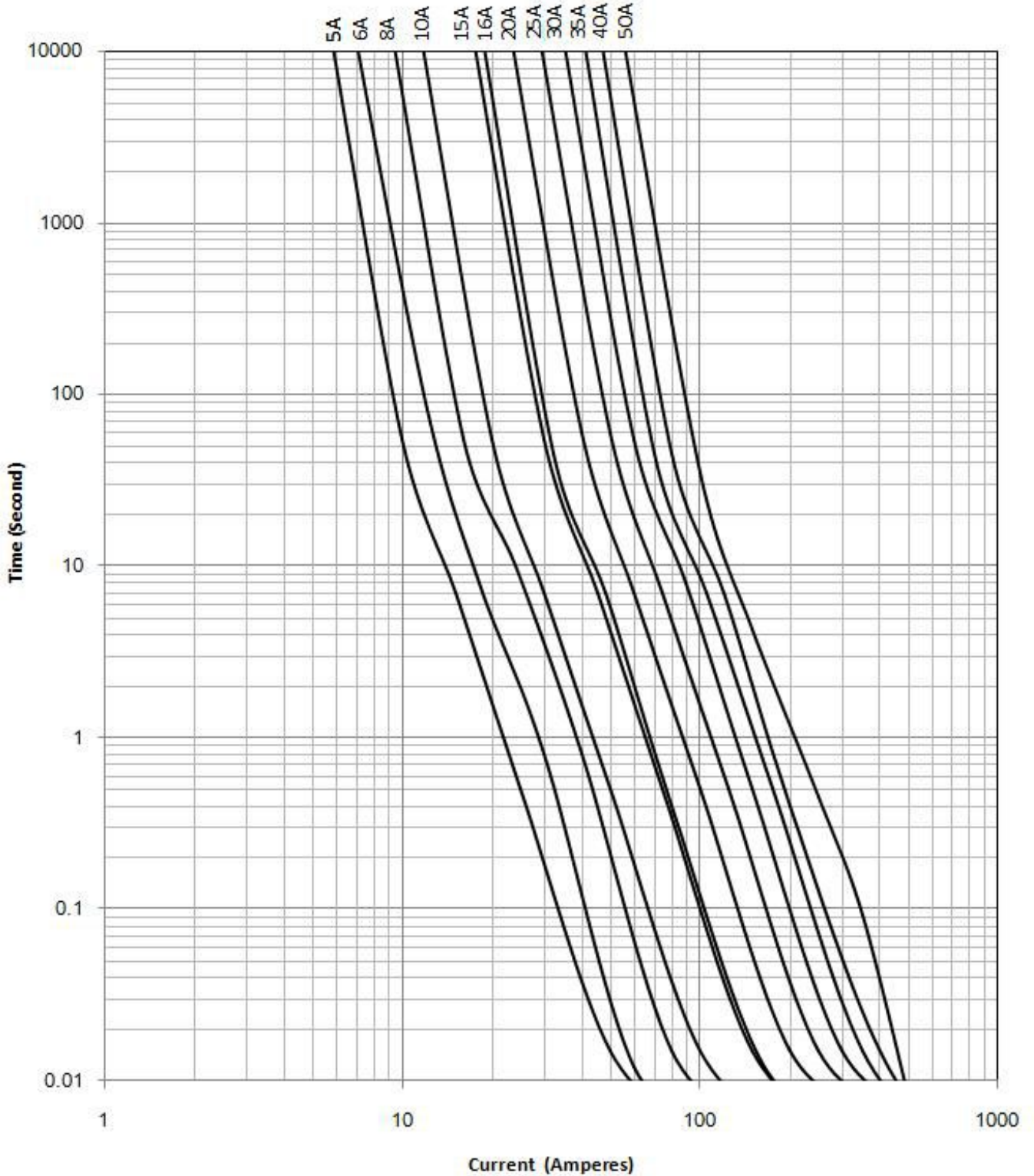


500VDC, General Purpose Fuse for EV/HEV  
HV150-XXYY Series



Time-Current Curve 时间电流曲线

Time Current Curve



### Transportation and Storage 运输与储存

During transportation and storage, should avoid water seepage and mechanical damage 运输与储存期间,应避免雨雪侵蚀和机械损伤.

### Conditions for operation in service 工作条件

Where the following conditions apply, fuses complying with this standard are deemed capable of operating satisfactorily without further qualification.

Normal temperature:  $-5^{\circ}\text{C}$  to  $40^{\circ}\text{C}$ ;

The altitude of the site of installation of the fuses does not exceed 2 000 m above sea level;

The air is clean and its relative humidity does not exceed 50 % at the maximum temperature of  $40^{\circ}\text{C}$ ; Higher relative humidities are permitted at lower temperatures, e.g. 90 % at  $20^{\circ}\text{C}$ ;

Under these conditions, moderate condensation may occasionally occur due to variation in temperature.

For operation condition other that above, please contact manufacturer.

在以下条件下使用,熔断器认为能正常工作,不需要进一步验证:

周围空气温度: $-5^{\circ}\text{C}$  to  $40^{\circ}\text{C}$ ; 安装地点的海拔不超过 2000 米;

空气是干净的,其相对湿度在最高温度为  $40^{\circ}\text{C}$  时不超过 50%;在较低温度下可以有较高的相对湿度,例如,在  $20^{\circ}\text{C}$  时,相对湿度可达 90%;在这些条件下,由于温度变化,可能偶然发生中等凝露.

如果使用条件超出以上范围,请咨询制造商以确认相应的折减计算.

### Vibration 震动条件

Meet JASO D622:2006 Section 6.3.3 Vibration durability test requirement, can be use on Electrical Vehicle application;

符合 JASO D622:2006 章节 6.3.3 的震动测试要求,可用于一般电动汽车应用.

### Temperature Rerating Curve 温度调额曲线

